

SERIES WNT | MULTI-JET NSF CERTIFIED BRASS BODY WATER METER

FEATURES/BENEFITS

- NSF/ANSI 61 certification makes it ideal for no lead requirements
- Multi-jet design allows for simplicity and accuracy with side flow ranges, even in low flow applications
- Magnetically driven, hermetically sealed register does not leak or fog and is completely separated from the water
- Designed for long service life and maintenance-free operation
- Integral strainer that protects meter from particulate damage
- Easy installation with included coupling adapters
- Pulsed output proportional to flow allows for remote flow totalization

APPLICATIONS

- Potable water applications
- Residential water measurement
- Remote water monitoring

DESCRIPTION

The **SERIES WNT** NSF Certified Multi-Jet Water Meters is a series of mechanical, water totalizing meters that display the total water usage in gallons or cubic meters. They are available in a range of body sizes and include NPT or BSPT couplings. Its lead free, NSF certified body is ideal for potable water applications.



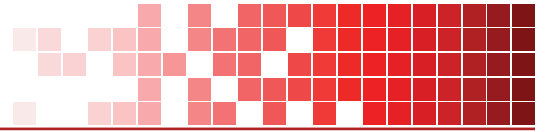
MODEL CHART

Model	Size	Coupling Size	GPM (Gallons Per Minute)			Display Max (Gallons)	Pulse Rate (Gal/Pulse)
			Max Flow	Nominal Flow Range	Transitional Flow		
WNT-A-C-01	5/8" x 1/2"	1/2" NPT	20	1 to 20	0.25	9,999,999.99	0.1
WNT-A-C-02	5/8" x 3/4"	3/4" NPT	20	1 to 20	0.25	9,999,999.99	0.1
WNT-A-C-05	3/4" x 1"	1" NPT	30	2 to 30	0.5	9,999,999.99	0.1
WNT-A-C-06	1"	1" NPT	50	3 to 50	0.75	9,999,999.99	0.1
WNT-A-C-07-1	1-1/2"	1-1/2" NPT	100	5 to 100	1.25	9,999,999.9	1
WNT-A-C-08-1	2"	2" NPT	160	8 to 160	2	9,999,999.9	1

SPECIFICATIONS

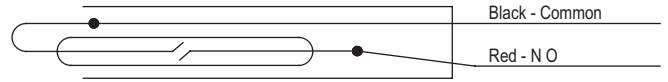
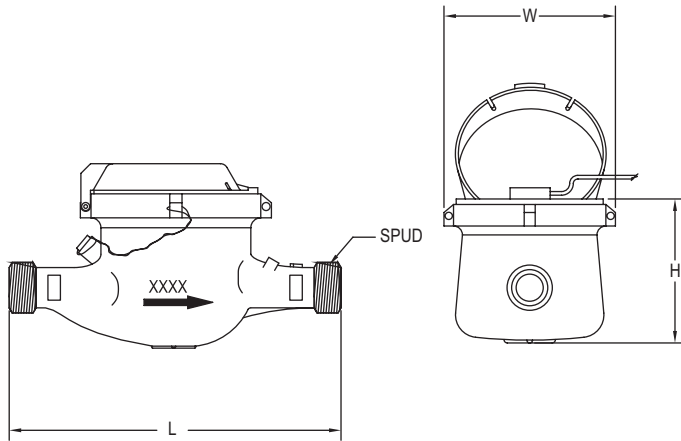
Service	Water.
Wetted Materials	Body: C87850 brass alloy (no lead, 75.5% copper, ECO-BRASS®); Couplings: C87850 brass alloy; Measuring chamber: ABS plastic.
Flow Range	See model chart.
Accuracy	Transitional Flow: ±3%; Nominal Flow: ±1.5%.
Temperature Limits	122°F (50°C).
Pressure Limit	150 psi (10 bar).
Pressure Drop	See service manual.
Totalizing Display Maximum	See model chart.
Output Signal	Pulse output with frequency proportional to flow rate.
Pulse Options	5/8" to 1" (15 mm to 25 mm): 0.1 gal, 1 gal, 10 gal, 100 gal per pulse; 1-1/2" to 2" (40 mm to 50 mm): 1 gal, 10 gal, 100 gal per pulse.
Electrical Rating	0.01 A @ 24 VAC/DC.
Electrical Connections	Color-coded lead wires, 4.5' (1.5 m) long; Pulse Emitter Device consists of plastic housing with Reed Switch.
Mounting Orientation	Horizontal with register facing up.
Weight	See dimension chart.
Agency Approvals	NSF.





DIMENSIONS

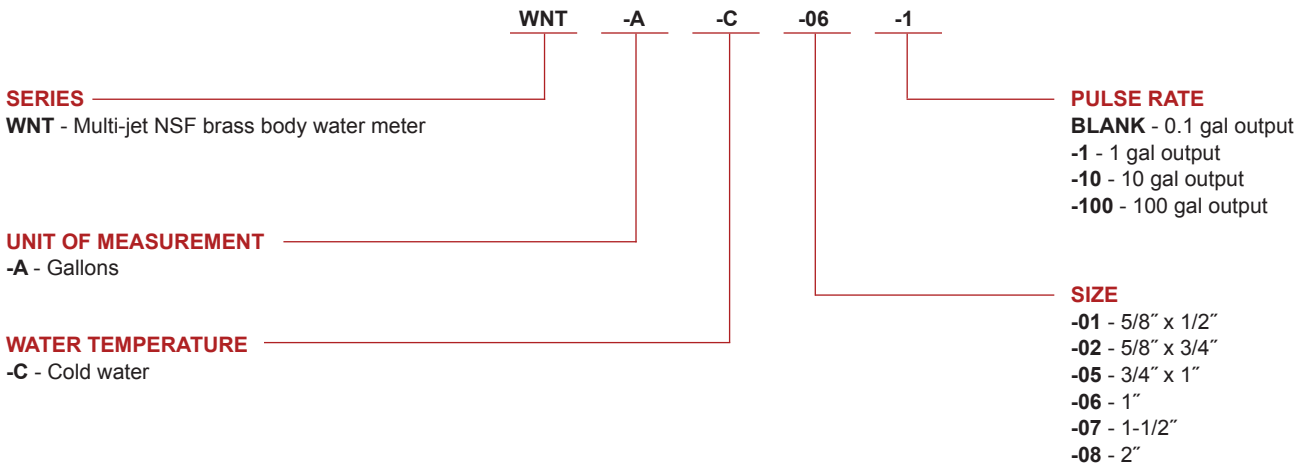
WIRING DIAGRAM



Size in (mm)	Spud NPSM (BSPP)	Length 'L' in (mm)	Width 'W' in (mm)	Height 'H' in (mm)	Weight lb (kg)
5/8 x 1/2 (15)	3/4" (3/4")	7-31/64(190)	3-45/64 (94)	4-15/64 (107.5)	3.58 (1.63)
5/8 x 3/4 (15)	1" (1")	7-31/64(190)	3-45/64 (94)	4-15/64 (107.5)	3.81 (1.73)
3/4 (20)	1" (1")	10-1/4 (260)	3-55/64 (98)	4-5/8 (117.5)	6.02 (2.73)
1 (25)	1-1/4" (1-1/4")	10-1/4(260)	3-55/64 (98)	4-5/8 (117.5)	6.02 (2.73)
1-1/2 (40)	2" (2")	11-13/16 (300)	4-51/64 (122)	4-5/8 (117.5)	12.02 (5.45)
2 (50)	2-1/2" (2-1/2")	11-13/16 (300)	5-45/64 (145)	5-9/16 (141.5)	13.23 (6)

HOW TO ORDER

Use the **bold** characters from the chart below to construct a product code.



ECO BRASS® is a registered trademark patent by Mitsubishi Shindoh

Important Notice: Dwyer Instruments, Inc. reserves the right to make changes to or discontinue any product or service identified in this publication without notice. Dwyer advises its customers to obtain the latest version of the relevant information to verify, before placing any orders, that the information being relied upon is current.

